

TRENT TECHNOLOGIES, INC.
CostGard™ CONDENSATE DRAIN SYSTEM
BLOW-THROUGH HVAC UNIT
HORIZONTAL FLOW

APPLICABILITY

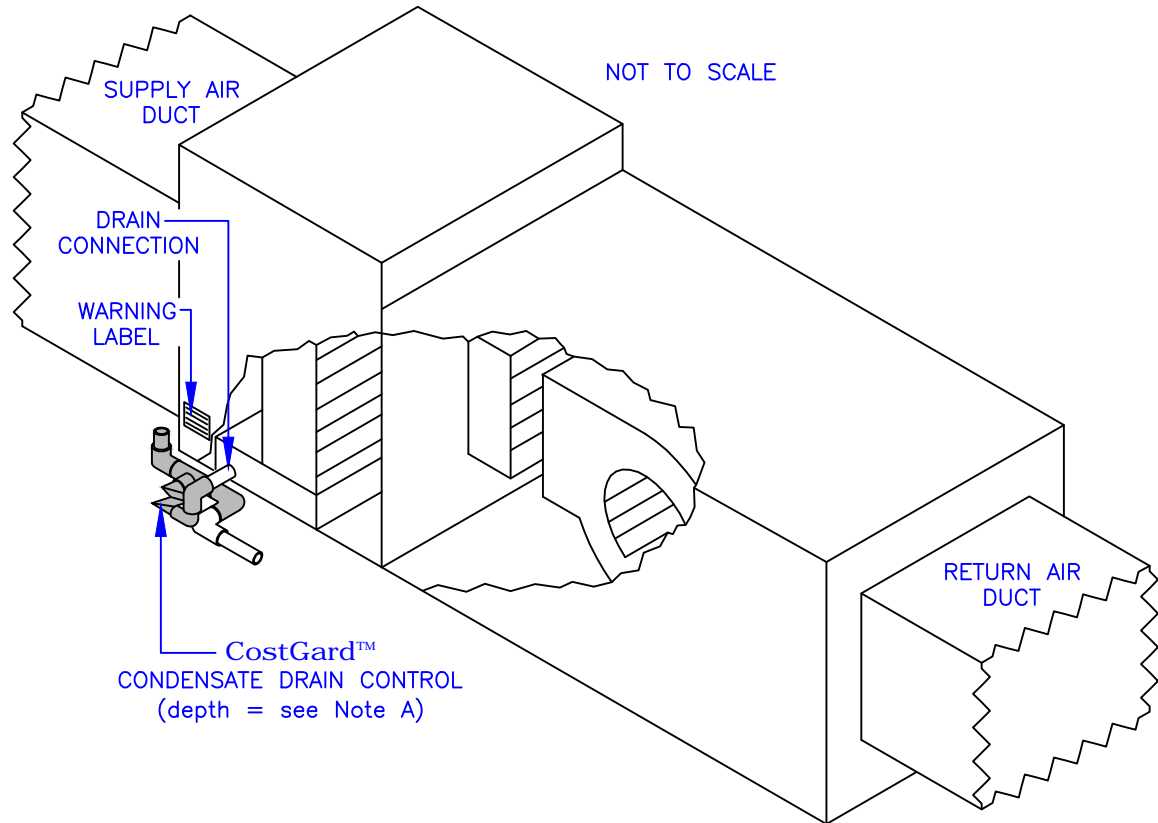
TYPE UNIT: BLOW-THROUGH AHU
 COOLING CAPACITY: UP TO 100+ TONS
 DRAIN DIAMETER: 3/4" TO 2"
 DRAIN PAN PRESSURE: +5.0" WG OR LESS

DRAIN SYSTEM COMPONENTS

SINGLE COMPONENT, WARNING LABEL, AND
 INSTALLATION INSTRUCTIONS.

NO FIELD SUPPLIED EQUIPMENT REQUIRED EXCEPT
 EXTERNAL DRAIN LINE.

NOTE A: DEPTH OF DRAIN SEAL
 = 3 TO 7-1/2 INCHES.



GENERAL NOTES:

1. THIS IS A GENERIC DETAIL OF A BLOW-THROUGH CONDENSATE DRAIN SYSTEM.
2. REFER TO MANUFACTURER FOR EXACT AHU MODEL AND PIPE CONFIGURATION: Email: info@trenttech.com; Phone: 903-509-4843.
3. REFER TO SECTION ___ ON DRAWING _____.
4. SEE ARCHITECTURAL DRAWINGS AND SPECIFICATIONS FOR ROOF CURB OR PAD, AND DRAIN PIPING.

DESCRIPTION: CostGard™ CONDENSATE DRAIN SYSTEM		
SCALE: NONE	DOCUMENT NAME: BT-HF	DATE: 3/10/14
UNLESS OTHERWISE SPECIFIED DIMENSIONS ARE IN INCHES		SHEET: 1 OF 1

CONFIDENTIAL PROPERTY OF
Trent Technologies, Inc.
 15939 OLD JACKSONVILLE HWY., TYLER, TX 75703
 NOT TO BE DISCLOSED TO OTHERS, COPIED, OR
 USED FOR ANY REASON EXCEPT AS AUTHORIZED.