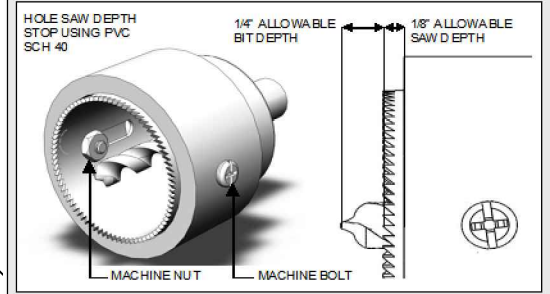


# CostGard™ CONDENSATE DRAIN SYSTEM POSSIBLE INSTALLATION ARRANGEMENT FOR SMALL HORIZONTAL FLOW HVAC UNIT

## CAUTION

TO PREVENT POSSIBLE DAMAGE TO INTERNAL COMPONENTS, EQUIP HOLE SAW WITH DEPTH STOP SUCH AS ILLUSTRATED BELOW.



**SUGGESTED HOLE SAW CONFIGURATION**

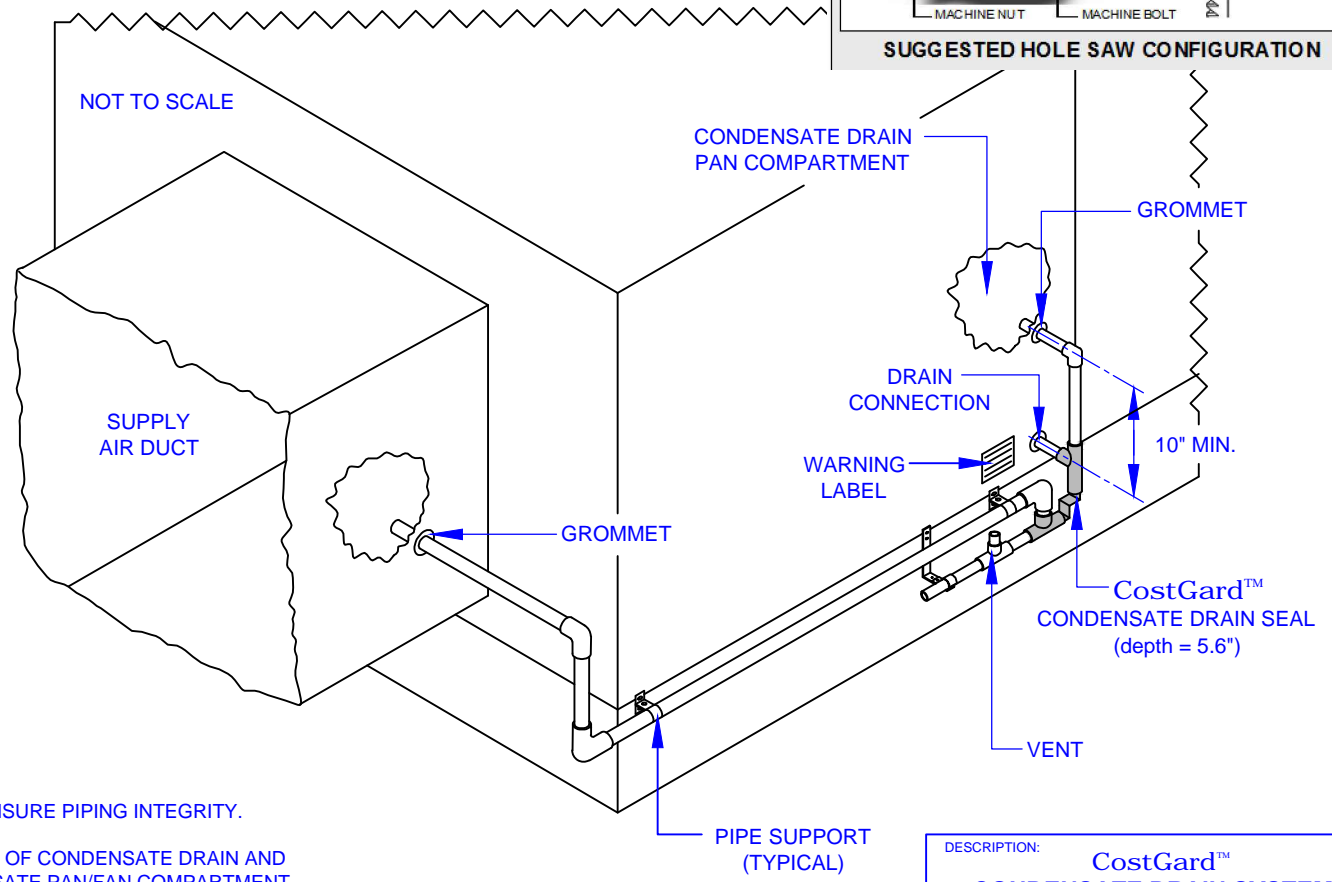
### APPLICABILITY

TYPE UNIT: UNITARY OR SPLIT  
COOLING CAPACITY: UP TO 30 TONS  
DRAIN DIAMETER: 3/4" AND 1"  
DRAIN PAN PRESSURE: -1.5" WG OR LESS

### DRAIN SYSTEM COMPONENTS

DRAIN SEAL, GROMMETS, WARNING LABEL, AND INSTALLATION INSTRUCTIONS.

FIELD SUPPLIED: PIPE, PIPE FITTINGS, AND PIPE SUPPORTS. FOR OUTDOOR INSTALLATIONS, UV INHIBITED PIPE AND PIPE FITTINGS ARE RECOMMENDED.



### NOTES:

1. INSTALL PIPE SUPPORTS AS NECESSARY TO ENSURE PIPING INTEGRITY.
2. ROUTE ALL PIPING TO AVOID ACCESS PANELS.
3. MINIMUM 10" REQUIRED BETWEEN CENTERLINE OF CONDENSATE DRAIN AND WHERE THE RISER PIPE ENTERS THE CONDENSATE PAN/FAN COMPARTMENT.
4. DO NOT ALLOW RISER PIPE TO PROTRUDE THROUGH GROMMET MORE THAN 3/4".
5. CONNECTION TO SUPPLY AIR COMPARTMENT MAY VARY.
6. ALLOW 1/8" / FT. SLOPE BETWEEN CostGard™ AND FLOOR DRAIN.
7. ONCE THE COMPONENTS ARE ASSEMBLED, EACH CONNECTING JOINT MUST BE BONDED WITH PVC CEMENT.

CONFIDENTIAL PROPERTY OF  
**Trent Technologies, Inc.**  
15939 OLD JACKSONVILLE HWY., TYLER, TX 75703  
NOT TO BE DISCLOSED TO OTHERS, COPIED, OR  
USED FOR ANY REASON EXCEPT AS AUTHORIZED.

DESCRIPTION: <b>CostGard™ CONDENSATE DRAIN SYSTEM</b>		
SCALE: NONE	DOCUMENT NAME: B-SHF	DATE: 3/11/14
UNLESS OTHERWISE SPECIFIED DIMENSIONS ARE IN INCHES		SHEET: 1 OF 1