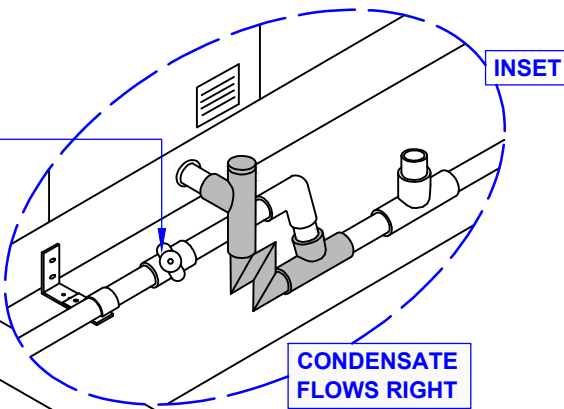


**CostGard™ CONDENSATE DRAIN SEAL
POSSIBLE INSTALLATION ARRANGEMENT
FOR
MODEL C40BV-20-90**

1-1/4" BALL VALVE INSTALLATION

Install the valve in the closed position and leave it there during the test and balancing operation. The system will drain successfully with the valve closed.

During operation at rated condition, open the valve in small steps until air begins to flow from the drain line vent. (The proper valve setting is when the air deflects slightly the flame of a lighter.)

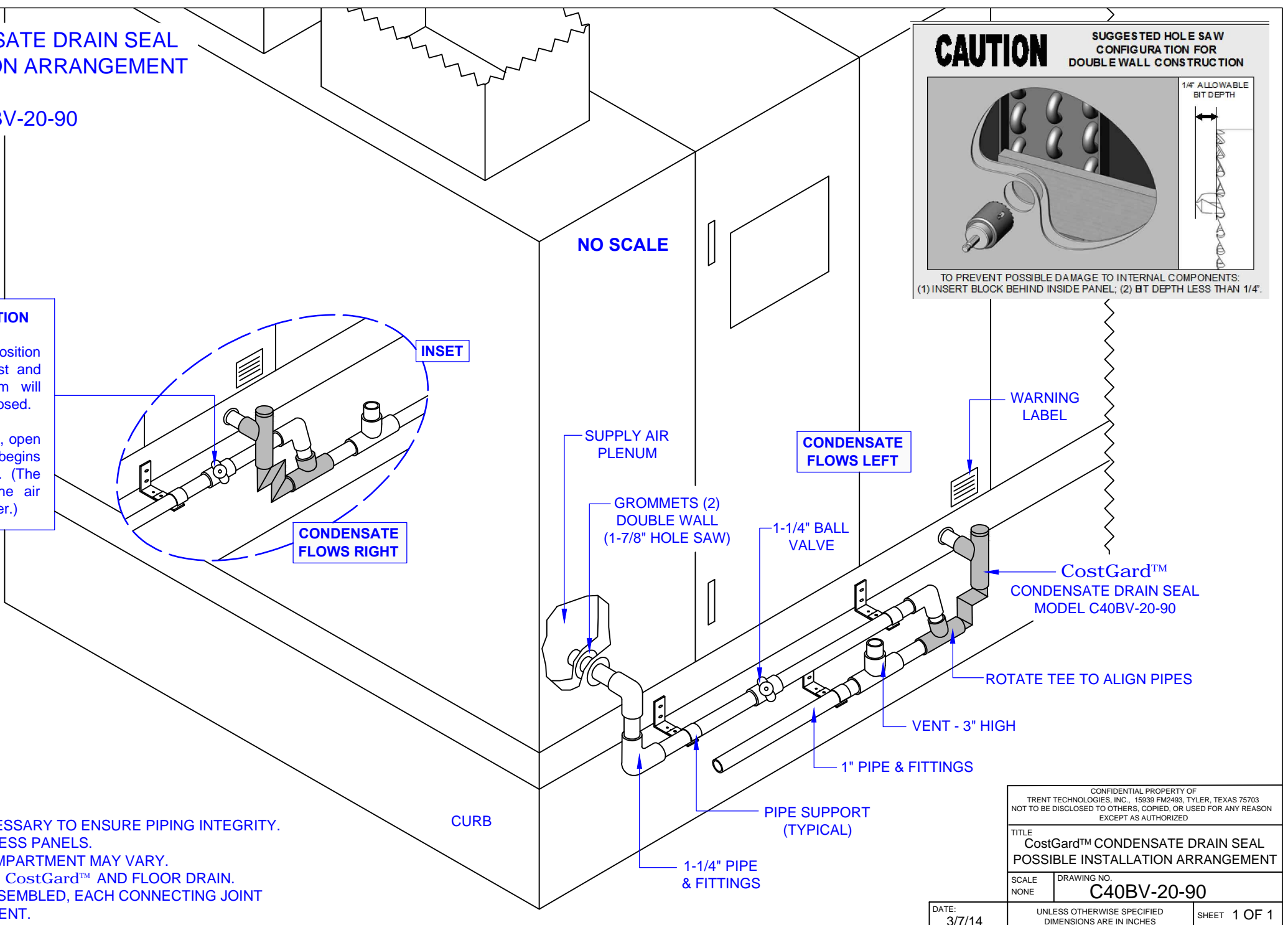


CAUTION SUGGESTED HOLE SAW CONFIGURATION FOR DOUBLE WALL CONSTRUCTION

TO PREVENT POSSIBLE DAMAGE TO INTERNAL COMPONENTS:
(1) INSERT BLOCK BEHIND INSIDE PANEL; (2) BIT DEPTH LESS THAN 1/4".

NOTES:

1. INSTALL PIPE SUPPORTS AS NECESSARY TO ENSURE PIPING INTEGRITY.
2. ROUTE ALL PIPING TO AVOID ACCESS PANELS.
3. CONNECTION TO SUPPLY AIR COMPARTMENT MAY VARY.
4. ALLOW 1/8" / FT. SLOPE BETWEEN CostGard™ AND FLOOR DRAIN.
5. ONCE THE COMPONENTS ARE ASSEMBLED, EACH CONNECTING JOINT MUST BE BONDED WITH PVC CEMENT.



CONFIDENTIAL PROPERTY OF TRENT TECHNOLOGIES, INC., 15939 FM2493, TYLER, TEXAS 75703 NOT TO BE DISCLOSED TO OTHERS, COPIED, OR USED FOR ANY REASON EXCEPT AS AUTHORIZED		
TITLE CostGard™ CONDENSATE DRAIN SEAL POSSIBLE INSTALLATION ARRANGEMENT		
SCALE NONE	DRAWING NO. C40BV-20-90	
DATE: 3/7/14	UNLESS OTHERWISE SPECIFIED DIMENSIONS ARE IN INCHES	SHEET 1 OF 1