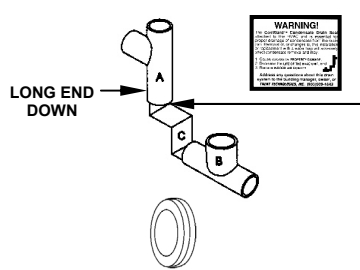
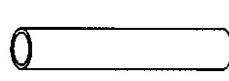
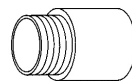

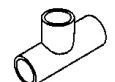
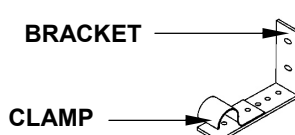



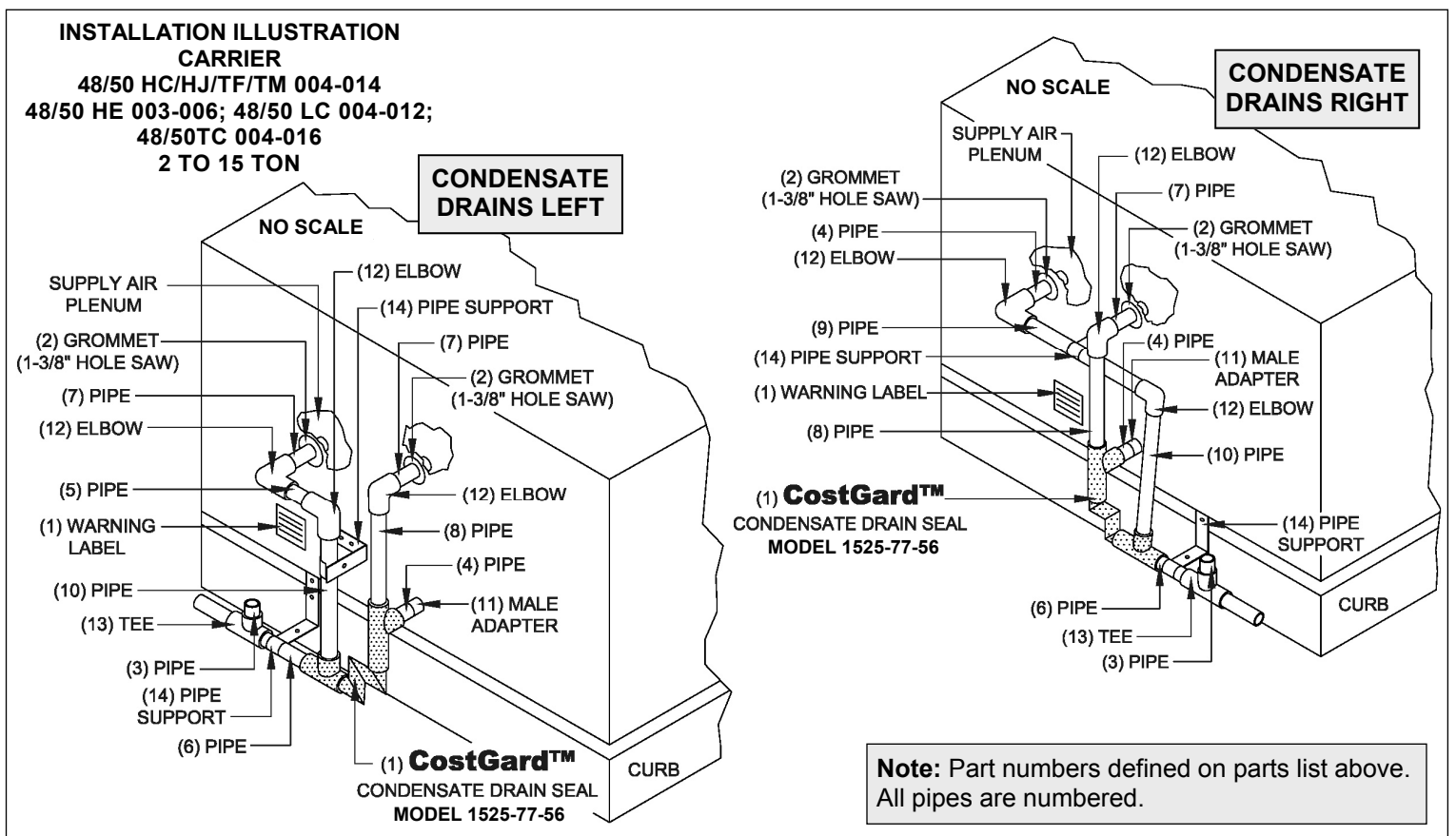
PARTS LIST

**NO TRAP
REQUIRED**

CostGard™ Condensate Drain Seal – SYSTEM KIT MODEL CWA-004-014-77

CARRIER 48/50 HC/HJ/TF/TM 004-014; 48/50 HE 003-006; 48/50 LC 004-012; 48/50 TC 004-016 – 2 TO 15 TON

	<u>Identification Symbol</u>	<u>Part #</u>	<u>Quantity</u>		<u>Part Name and/or Size</u>		
			DRAINS LEFT	DRAINS RIGHT			
Bag 1	 <p>CostGard™ Condensate Drain Seal</p> <p>Warning Label</p> <p>PROPERLY ASSEMBLED WHEN THE INTERNALLY SLOPED END OF PART (C) IS INSERTED INTO THE LONG END OF PART (A)</p>	1	1	1	CostGard™ Condensate Drain Seal Model: 1525-77-56 - Parts A, B, C Installation Instructions and Warning Label		
	GROMMETS	2	2	2	GROMMET – FOR 3/4 INCH PIPE PN. 2277		
Bag 2 or Box	 <p>SCHEDULE 40 UV STABILIZED PVC PIPE</p>	3	1	1	3/4 INCH PIPE—1-1/2 INCHES LONG		
		4	1	2	3/4 INCH PIPE—2-1/4 INCHES LONG		
		5	1	0	3/4 INCH PIPE—2-1/2 INCHES LONG		
		6	1	1	3/4 INCH PIPE—3 INCHES LONG		
		7	2	1	3/4 INCH PIPE—3-1/2 INCHES LONG		
		8	1	1	3/4 INCH PIPE—8-1/2 INCHES LONG		
		9	0	1	3/4 INCH PIPE—10-1/2 INCHES LONG		
		10	1	1	3/4 INCH PIPE—11-3/4 INCHES LONG		
		Bag 3	 <p>SCHEDULE 40 UV STABILIZED PVC ADAPTER (MIPT X SLIP)</p>	11	1	1	3/4 INCH MALE ADAPTER
			 <p>SCHEDULE 40 UV STABILIZED PVC 90° ELBOW (SLIP X SLIP)</p>	12	3	3	3/4 INCH ELBOW
 <p>SCHEDULE 40 UV STABILIZED PVC SLIP TEE (SLIP X SLIP X SLIP)</p>	13		1	1	3/4" X 3/4" X 3/4" SLIP TEE		
Bag 4	 <p>BRACKET</p> <p>CLAMP</p> <p>PIPE SUPPORT (requires screws listed below)</p>	14	2	2	3/4 INCH CLAMP & #PS2277 PIPE SUPPORT		
	 <p>SELF TAPPING SCREWS</p>	15	6	6	#10-16 X 3/4" SELF TAPPING SCREW WITH NEOPRENE WASHER		
	Screws—Bag 5 inside Bag 4						



INSTRUCTIONS

**NO TRAP
REQUIRED**

CostGard™ Condensate Drain Seal – SYSTEM KIT MODEL CWA-004-014-77

CARRIER 48/50 HC/HJ/TF/TM 004-014; 48/50 HE 003-006; 48/50 LC 004-012; 48/50 TC 004-016 – 2 TO 15 TON

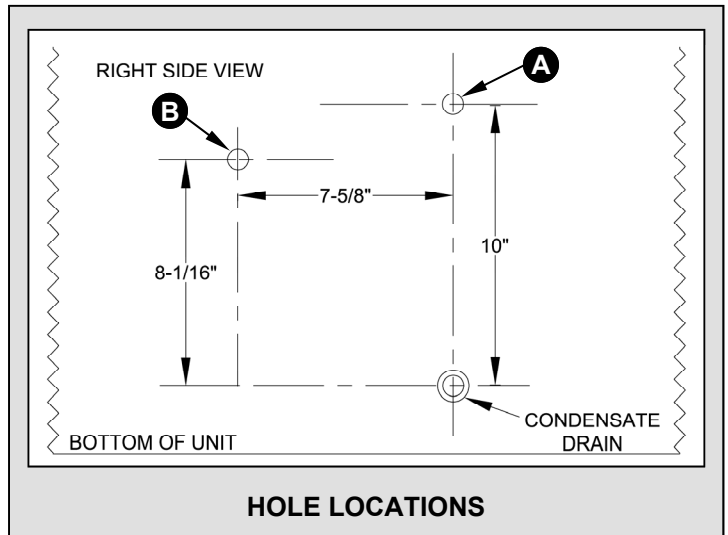
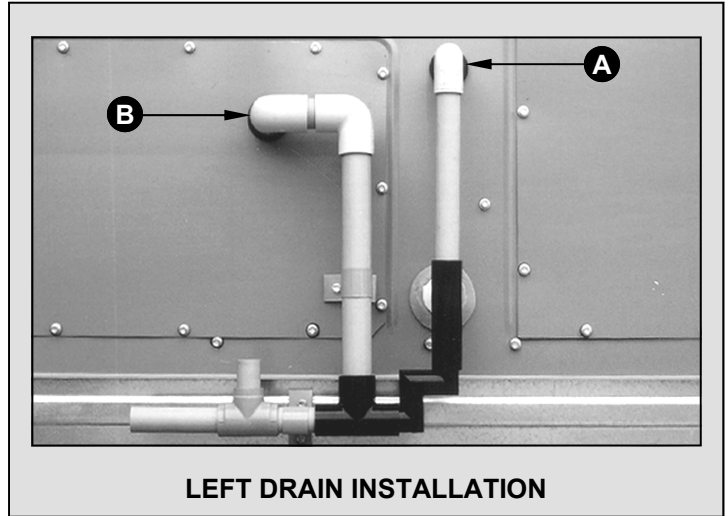
This kit contains all the components necessary for installing the CostGard™ Condensate Drain Seal on Carrier 48/50 HC/HJ/TF/TM 004-014, 48/50 HE 003-006, 48/50 LC 004-012, and 48/50 TC 004-016 models. The components provided are listed on the backside of this page. The smaller components are packaged in five individual transparent plastic bags.

INSTALLATION

Step 1: Open packages to check for missing or damaged parts. Determine if the installation will drain to the LEFT or to the RIGHT. Note the two columns under “**QUANTITY**” on the reverse side. Use only the items listed under “**DRAINS LEFT**” if the condensate will drain to the LEFT. Use only the items listed under “**DRAINS RIGHT**” if the condensate will drain to the RIGHT. In case of discrepancies, notify Trent Technologies immediately.

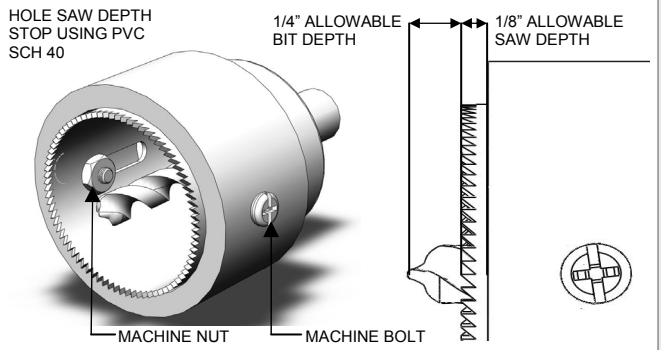
Step 2: Identify the hole locations in the panels where installation pipes are to be connected, see Points A and B in the photograph to the right. If the HVAC unit is “CostGard™ Ready,” the proper hole sizes are precut and protected with a removable cover. In this case remove the covers and proceed to Step 4. Otherwise, continue to Step 3.

Step 3: For units not “CostGard™ Ready,” use a 1-3/8” hole saw to cut holes in the panels at the locations defined by the dimensions on the drawing to the right at points A and B.



CAUTION

TO PREVENT POSSIBLE DAMAGE TO INTERNAL COMPONENTS, EQUIP HOLE-SAW WITH DEPTH STOP SUCH AS ILLUSTRATED BELOW.



Step 4: Install grommets provided, in proper holes.

Step 5: Assemble the other components as illustrated on the back of this page, and dry fit all parts together. Parts A, B, and C of the CostGard™ Condensate Drain Seal (See Bag 1 of Parts List) are not bonded. This is to allow rotation for routing, draining condensate to either the left or right, and

attaching the air supply piping. Only apply PVC cement to dry parts (free of moisture) after the proper rotation position is found. **Once the components are assembled and pipe supports are installed, ALL connecting joints MUST be bonded with PVC cement.**

Step 6: Attach yellow warning label (See Bag 1 of Parts List).

Contact Trent Technologies with questions regarding this installation.

SYSTEM CHECK OUT

Check system operation as described in the Checkout Procedure below.

CHECKOUT PROCEDURE

With the system operating, make the following measurements:

- (1) Static pressure in the drain pan compartment (not the return duct) and
- (2) Static pressure in the supply air plenum.

If these pressure values fall within "checkout range-air filter clean," defined on the chart to the right, the system will operate properly. And, it will operate properly when the filter is dirty and ready to be changed (.50 in. wc. pressure loss). If the measured pressures are not within the defined operating range, it may still be possible to use the CostGard™ Condensate Drain Seal Model 1525-77-56. Contact Trent Technologies for resolution.

CostGard™ CONDENSATE DRAIN SEAL MODEL 1525-77-56 OPERATING RANGE

