

**TRENT TECHNOLOGIES, INC.**  
**CostGard™ CONDENSATE DRAIN SYSTEM**  
**BLOW-THROUGH HVAC UNIT**  
**VERTICAL FLOW**

APPLICABILITY

TYPE UNIT: BLOW-THROUGH AHU  
 COOLING CAPACITY: UP TO 100+ TONS  
 DRAIN DIAMETER: 3/4" TO 2"  
 DRAIN PAN PRESSURE: +5.0" WG OR LESS

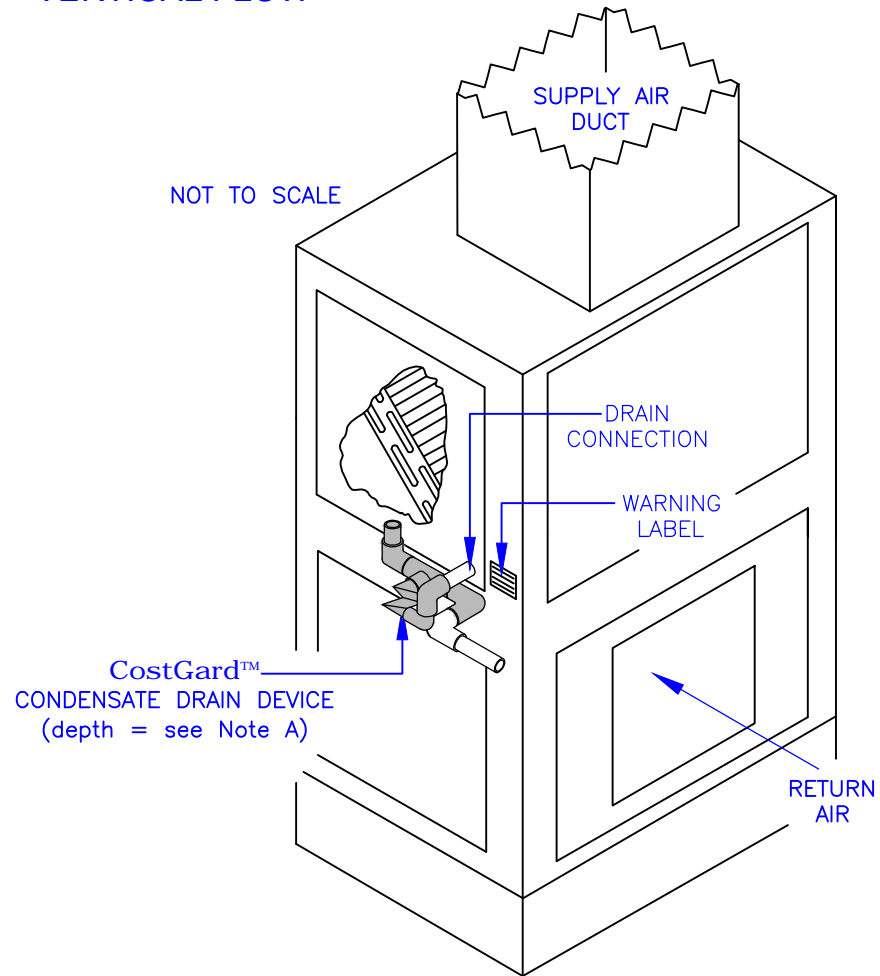
DRAIN SYSTEM COMPONENTS

SINGLE COMPONENT, WARNING LABEL, AND  
 INSTALLATION INSTRUCTIONS.

NO FIELD SUPPLIED EQUIPMENT REQUIRED EXCEPT  
 EXTERNAL DRAIN LINE.

NOTE A: DEPTH OF DRAIN SEAL  
 = 3 TO 7-1/2 INCHES.

NOT TO SCALE



GENERAL NOTES:

1. THIS IS A GENERIC DETAIL OF A BLOW-THROUGH CONDENSATE DRAIN SYSTEM.
2. REFER TO MANUFACTURER FOR EXACT AHU MODEL AND PIPE CONFIGURATION: Email: info@trenttech.com; Phone: 903-509-4843.
3. REFER TO SECTION \_\_\_ ON DRAWING \_\_\_.
4. SEE ARCHITECTURAL DRAWINGS AND SPECIFICATIONS FOR ROOF CURB OR PAD, AND DRAIN PIPING.

DESCRIPTION: <b>CostGard™ CONDENSATE DRAIN SYSTEM</b>		
SCALE: NONE	DOCUMENT NAME: BT-VF	DATE: 3/10/14
UNLESS OTHERWISE SPECIFIED DIMENSIONS ARE IN INCHES		SHEET: 1 OF 1

CONFIDENTIAL PROPERTY OF  
**Trent Technologies, Inc.**  
 15939 OLD JACKSONVILLE HWY., TYLER, TX 75703  
 NOT TO BE DISCLOSED TO OTHERS, COPIED, OR  
 USED FOR ANY REASON EXCEPT AS AUTHORIZED.