

CostGard™ CONDENSATE DRAIN SYSTEM DRAW-THROUGH HVAC UNIT LARGE DOWN FLOW

APPLICABILITY

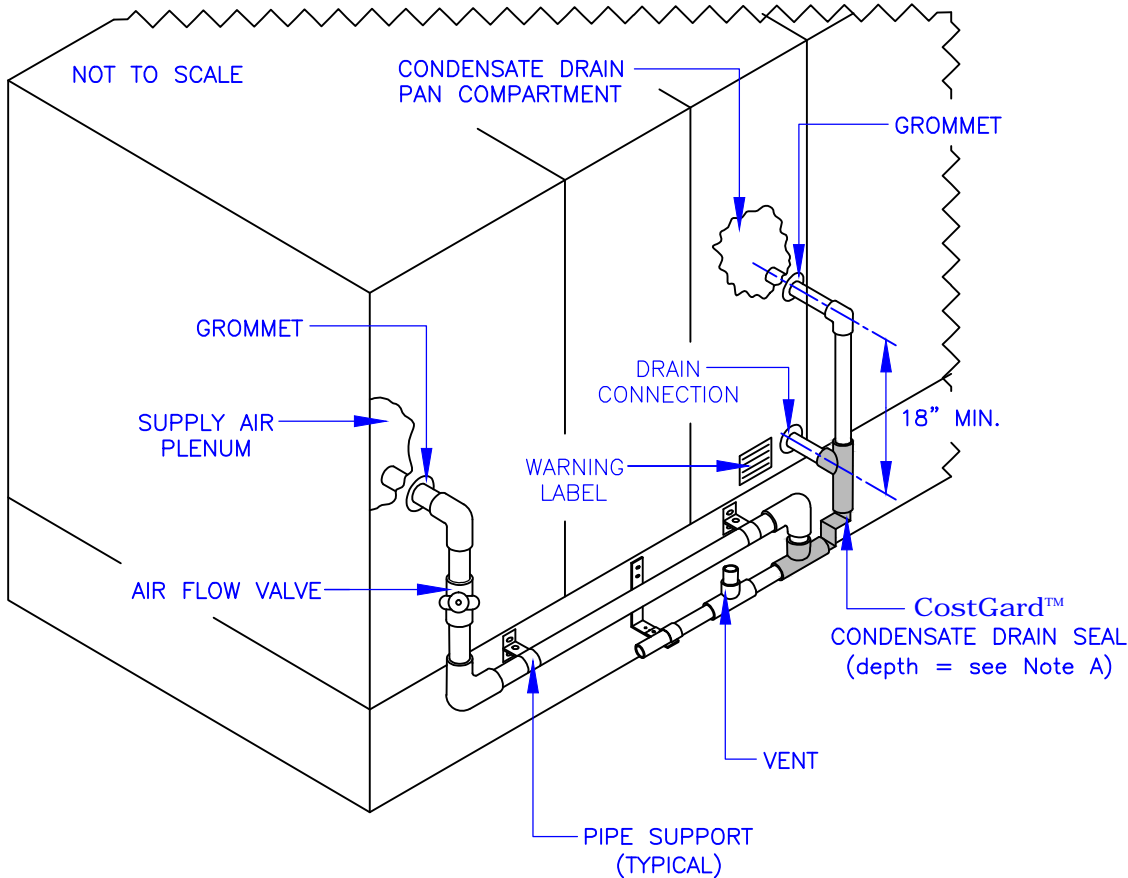
TYPE UNIT: UNITARY, MODULAR AND/OR SPLIT
 COOLING CAPACITY: UP TO 100+ TONS
 DRAIN DIAMETER: 1-1/4", 1-1/2", AND 2"
 DRAIN PAN PRESSURE: -5.0" WG OR LESS

DRAIN SYSTEM COMPONENTS

DRAIN SEAL, GROMMETS, AIR FLOW VALVE, WARNING LABEL, AND INSTALLATION INSTRUCTIONS.

FIELD SUPPLIED: PIPE, PIPE FITTINGS, AND PIPE SUPPORTS. FOR OUTDOOR INSTALLATIONS, UV INHIBITED PIPE AND PIPE FITTINGS ARE RECOMMENDED.

NOTE A: DEPTH OF DRAIN SEAL
 = -2.2 X MOST NEGATIVE PRESSURE IN DRAIN PAN
 IN INCHES OF WATER (MIN. DEPTH = 6 INCHES)



GENERAL NOTES:

1. THIS IS A GENERIC DETAIL OF A LARGE AHU CONDENSATE DRAIN SYSTEM.
2. REFER TO MANUFACTURER FOR EXACT AHU MODEL AND PIPE CONFIGURATION: Email: info@trenttech.com; Phone: 903-509-4843.
3. REFER TO SECTION ___ ON DRAWING ___.
4. SEE ARCHITECTURAL DRAWINGS AND SPECIFICATIONS FOR ROOF CURB OR PAD, AND DRAIN PIPING.

DESCRIPTION: CostGard™ CONDENSATE DRAIN SYSTEM		
SCALE: NONE	DOCUMENT NAME: DT-LDF	DATE: 3/10/14
UNLESS OTHERWISE SPECIFIED DIMENSIONS ARE IN INCHES		SHEET: 1 OF 1

CONFIDENTIAL PROPERTY OF
Trent Technologies, Inc.
 15939 OLD JACKSONVILLE HWY., TYLER, TX 75703
 NOT TO BE DISCLOSED TO OTHERS, COPIED, OR
 USED FOR ANY REASON EXCEPT AS AUTHORIZED.