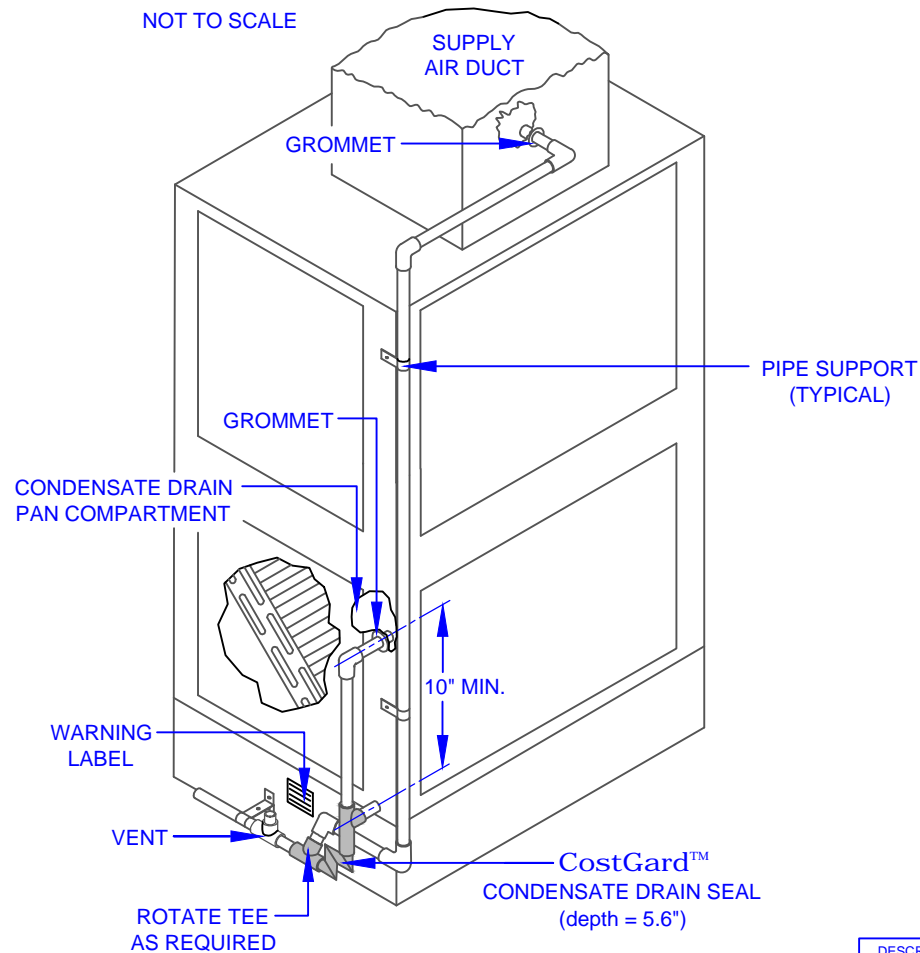


CostGard™ CONDENSATE DRAIN SYSTEM POSSIBLE INSTALLATION ARRANGEMENT FOR SMALL VERTICAL FLOW HVAC UNIT

NOT TO SCALE



APPLICABILITY

TYPE UNIT: SPLIT
 COOLING CAPACITY: UP TO 30 TONS
 DRAIN DIAMETER: 3/4" AND 1"
 DRAIN PAN PRESSURE: -1.5" WG OR LESS

DRAIN SYSTEM COMPONENTS

DRAIN SEAL, GROMMETS, WARNING LABEL, AND
 INSTALLATION INSTRUCTIONS.

FIELD SUPPLIED: PIPE, PIPE FITTINGS, AND PIPE
 SUPPORTS. FOR OUTDOOR INSTALLATIONS, UV
 INHIBITED PIPE AND PIPE FITTINGS ARE
 RECOMMENDED.

NOTES:

1. INSTALL PIPE SUPPORTS AS NECESSARY TO ENSURE PIPING INTEGRITY.
2. ROUTE ALL PIPING TO AVOID ACCESS PANELS.
3. MINIMUM 10" REQUIRED BETWEEN CENTERLINE OF CONDENSATE DRAIN AND WHERE THE RISER PIPE ENTERS THE CONDENSATE PAN/FAN COMPARTMENT.
4. DO NOT ALLOW RISER PIPE TO PROTRUDE THROUGH GROMMET MORE THAN 3/4".
5. CONNECTION TO SUPPLY AIR COMPARTMENT MAY VARY.
6. ALLOW 1/8" / FT. SLOPE BETWEEN CostGard™ AND FLOOR DRAIN.
7. ONCE THE COMPONENTS ARE ASSEMBLED, EACH CONNECTING JOINT MUST BE BONDED WITH PVC CEMENT.

CONFIDENTIAL PROPERTY OF
Trent Technologies, Inc.
 15939 OLD JACKSONVILLE HWY., TYLER, TX 75703
 NOT TO BE DISCLOSED TO OTHERS, COPIED, OR
 USED FOR ANY REASON EXCEPT AS AUTHORIZED.

DESCRIPTION: CostGard™ CONDENSATE DRAIN SYSTEM		
SCALE: NONE	DOCUMENT NAME: B-SVF	DATE: 3/17/14
UNLESS OTHERWISE SPECIFIED DIMENSIONS ARE IN INCHES		SHEET: 1 OF 1